

INSTALLATION MANUAL



IR STATION™ CHASSIS / IN-WALL

Termination and trouble-shooting point for IR repeating systems

TO BE USED WITH AUDIOPLEX BRAND IR ONLY!

REV.B

SPECIFICATIONS

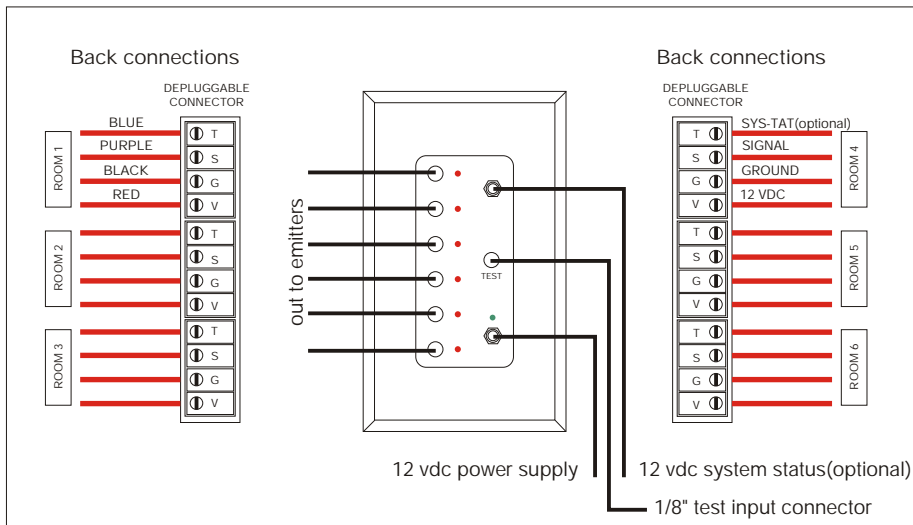
Connectors:	Screw-type (depluggable connectors for in-wall versions)
Emitter outputs:	1/8" mini-jack
Power supply:	+12vdc power supply (unregulated, included)
Dimensions:	Chassis version: 6.75"H x 1.625"W x 1"D
Test Jack:	Allows testing of IRTargets and Emitters (1/8" IRTarget Tester optional).

The IRStation provides a convenient connecting point and trouble shooting station for a remote relay system, eliminating hard-wiring. Each room has it's own screw-down connector for the IRTarget (depluggable screw-down connectors for in-wall versions), each emitter and the power supplies have their own plug-in jacks. Every IRBug(Stick-emit) or IRFlood(TBW) has it's own visible LED which flashes to verify operation.

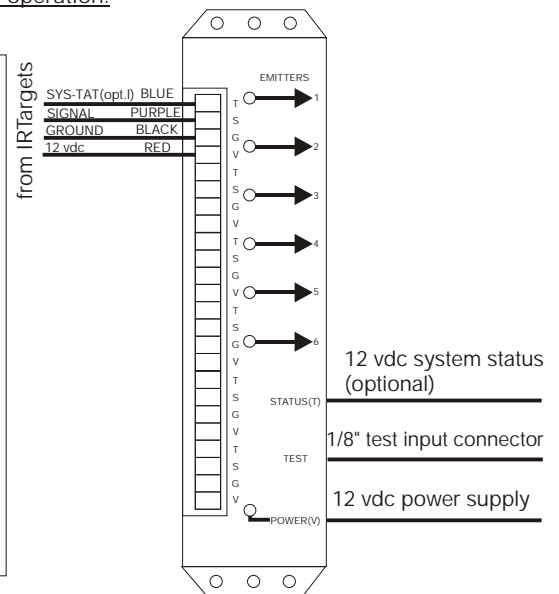
The IRStation includes a jack for an optional 12vdc wall adaptor. By plugging the adaptor into your receiver's switched AC outlet, you will provide SYS-TAT power whenever the receiver is turned on.

NOTE: must ground yellow wire(S1) from IRTarget for proper operation.

IN-WALL VERSION



CHASSIS VERSION



IMPORTANT! Refer to IRTarget sheet for detailed wiring diagram

WARRANTY

Your AUDIOPLEX TECHNOLOGY(tm) IRStation(tm) is covered by a lifetime warranty against any defects in workmanship and materials. Any defects will be remedied without charge for labor or parts.

Damage incurred by shipping or by accident is not considered to be a defect, and not covered by this warranty. AUDIOPLEX TECHNOLOGY(tm) is not responsible for defective operation caused by abuse or by modification or service by any unauthorized person or agency.

The unit must be properly installed and operated according to instructions for the warranty to apply. Any necessary servicing must be done by AUDIOPLEX TECHNOLOGY(tm). The unit must be shipped with the proof of purchase and in the original carton and packing materials to avoid damage.

© 2002 - 8/23/02