

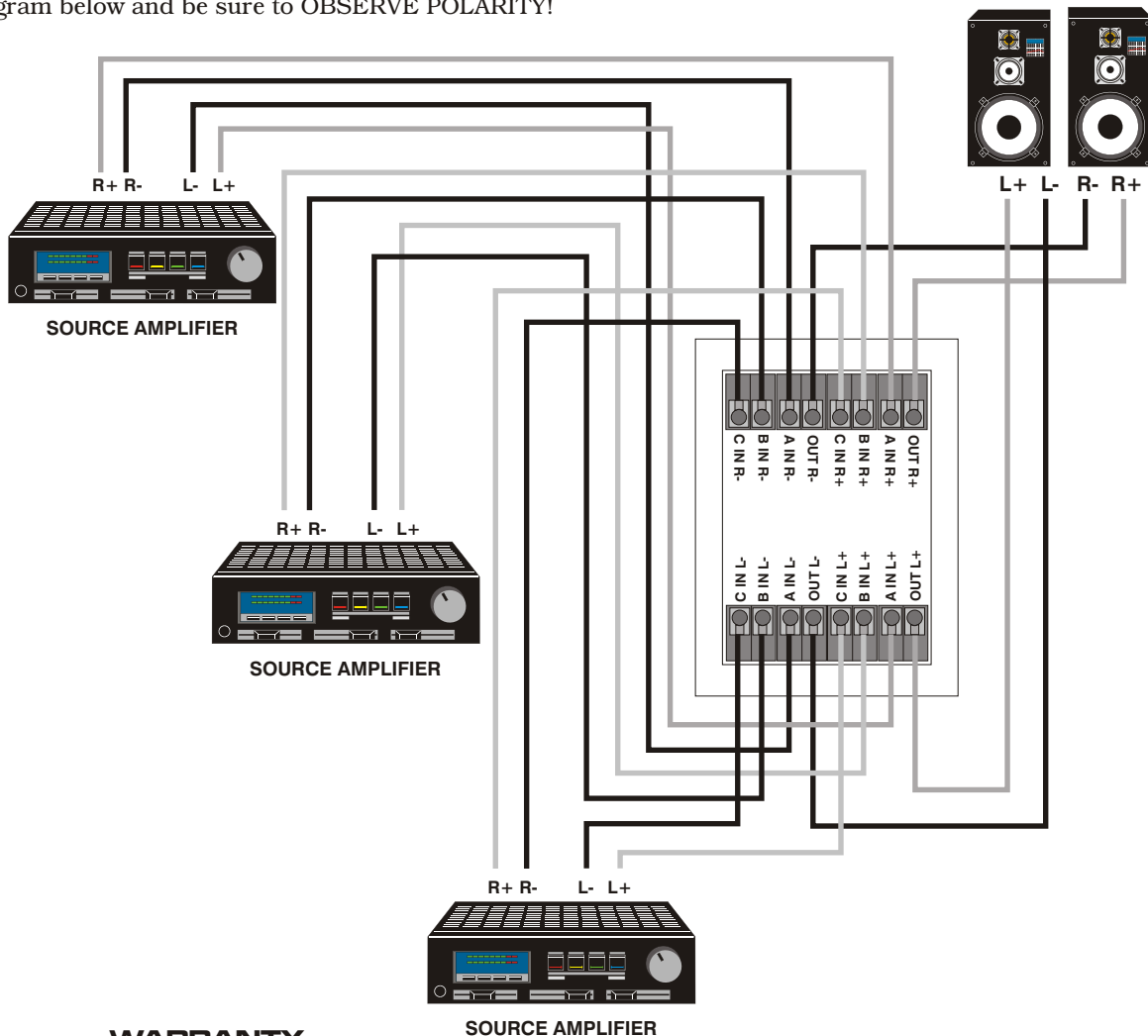
INSTALLATION MANUAL

AUDIOPLEX[®] TECHNOLOGY

ABC SWITCH

3 SOURCE SELECTOR SWITCH

The ABC switch allows convenient selection of 3 stereo sources from a single wall mounted location. Prepare the wire leads to and from the ABC switch by stripping about 1/4" of insulation from each of the ends. Twist strands tightly together so that none stick out to cause a possible short circuit. Follow the wiring diagram below and be sure to OBSERVE POLARITY!



WARRANTY

Your AUDIOPLEX TECHNOLOGY[®] ABC switch is covered by a LIFETIME warranty against any defects in workmanship and materials. Any defects will be remedied without charge for labor and parts.

Damage incurred by shipping or accident is not considered to be a defect, and not covered by this warranty. AUDIOPLEX TECHNOLOGY[®] is not responsible for defective operation caused by abuse or by modification or service by any unauthorized person or agency.

The unit must be properly installed and operated according to instructions for the warranty to apply. Any necessary servicing must be done by AUDIOPLEX TECHNOLOGY[®]. The product must be returned expenses prepaid, with written authorization from the company. The product must be shipped with the proof of purchase and in the original carton and packing material to avoid damage.

This warranty gives you specific legal rights. You may have other rights which vary from state to state.

AUDIOPLEX TECHNOLOGY[®]

404 GWH • P.O. BOX 440 • MELVIN VILLAGE, N.H. 03850
1-800-257-2077 • 603-544-8601 • FAX: 603-544-8901
www.audioplex.com