

INSTALLATION MANUAL



DX ■

STEALTH XTREME IR TARGET (Patent Pending)

Used as a remote receiver and processor

SPECIFICATIONS:

Package:	Includes: Stealth IR sensor (6 foot lead) and control unit.
Mounting:	Adhesive backing (control unit), adhesive backing (sensor)
Remotes:	Will handle almost all standard remote controllers (Note: does NOT work with B & O equipment, which requires a proprietary confirmation talk-back function).
Range:	110 feet indoors, 15 to 20 feet in direct sunlight.
Acceptance angle:	+ or - 55 degrees off center axis.
Power:	12 VDC @ 500 mA (unregulated)
Dimensions:	2.1" x 1.5" x 1.35"

Your Stealth Xtreme IRTarget is a compact unit that is designed to act as a remote receiver and processor of infrared signals. This sensor will receive signals from remote controllers and send these signals to a remote repeater.

INSTALLATION:

CAUTION: Take care to make sure that the Stealth Xtreme installation is NOT IN THE LINE OF SIGHT OR REFLECTION with the repeater. If radiation from the repeater is picked up by this sensor, a feedback situation is created which will result in instability and unreliable operation. Undesirable reflection can occur off of light colored walls, windows, mirrors, and even shiny wood finishes! Follow the wiring diagram carefully (see back of this page for wiring diagrams). Follow instructions on back of this page to make adjustments to the Digital Variable Filter. **NOTE: make all connections and check carefully prior to supplying power to the unit! DO NOT CUT OR EXTEND THE SENSOR EYE CABLE - DOING SO WILL VOID THE WARRANTY.** Please call if you have any questions about your installation.

WARRANTY

Your AUDIOPLEX TECHNOLOGY® Stealth Xtreme IRTarget is covered by a Lifetime warranty against defects in workmanship and materials. Any defects will be remedied without charge for labor or parts.

Damage incurred by shipping or accident is not considered to be a defect, and not covered by this warranty. AUDIOPLEX TECHNOLOGY® is not responsible for defective operation caused by abuse or by modification or service by an unauthorized person or agency.

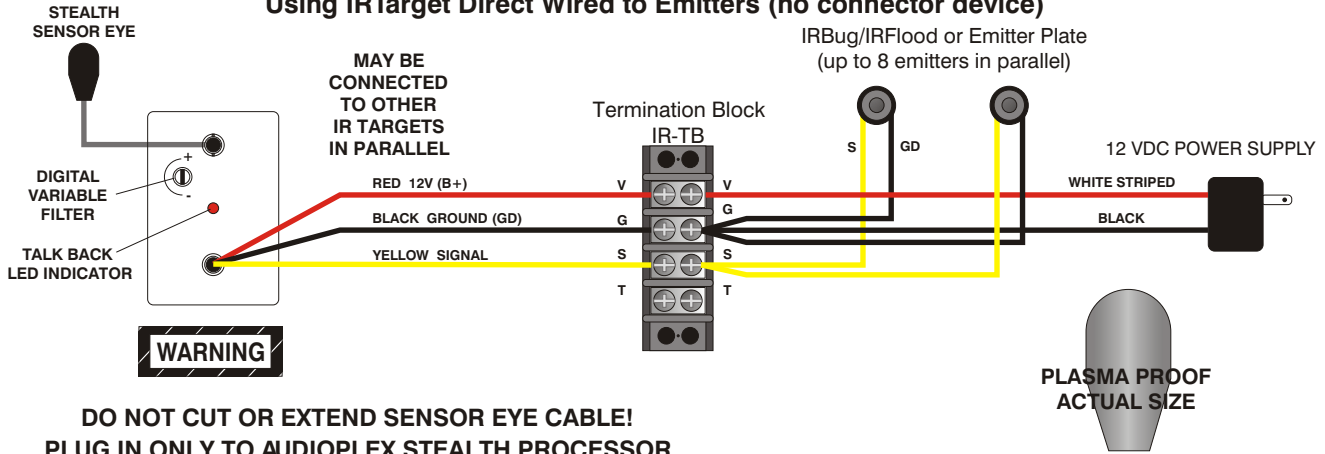
The unit must be properly installed and operated according to instructions for the warranty to apply. Any necessary servicing must be done by AUDIOPLEX TECHNOLOGY®. The products must be returned expenses prepaid, with written authorization from the company. The unit must be shipped with the proof of purchase and in the original carton and packing material to avoid damage.

This warranty gives you specific legal rights. You may have other rights which vary from state to state.

(NOTE: 12 volt power supply and IRBug/IRFlood are supplied with IRTarget packages only)

FOR INSTALLATIONS USING AUDIOPLEX TECHNOLOGY™ INFRARED EQUIPMENT

Using IRTarget Direct Wired to Emitters (no connector device)

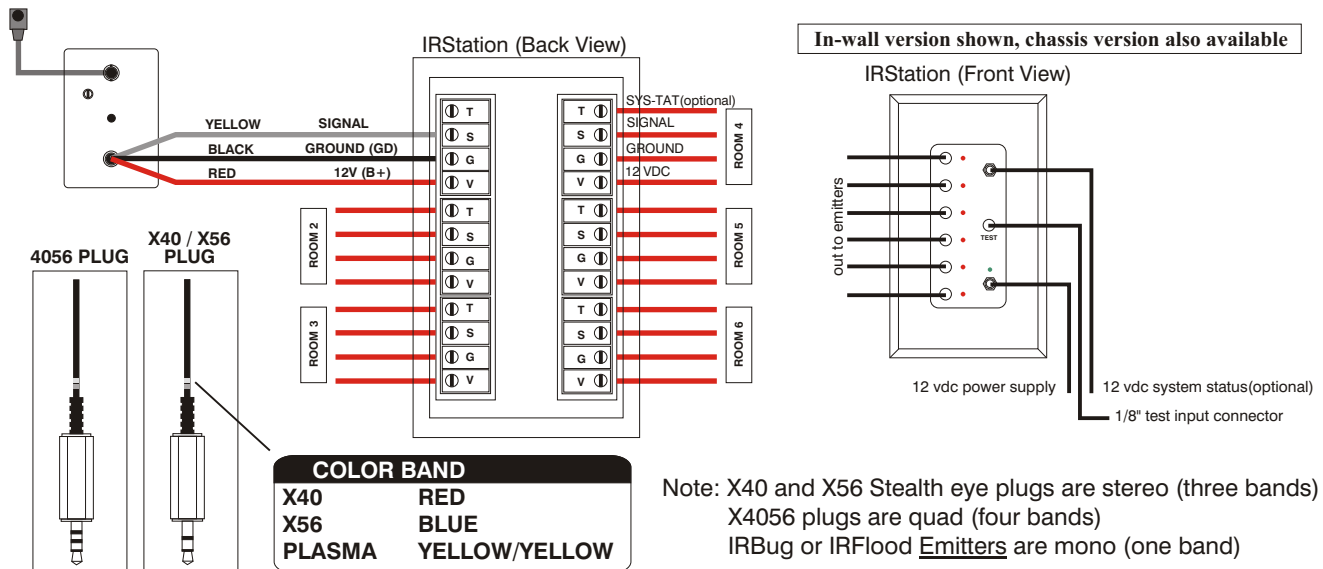


Adjusting the Digital Variable Filter

IMPORTANT: the pot adjustment is only read by the Stealth on Power-Up. Therefore adjusting the pot while the Stealth unit is already Powered-Up will have no effect. You must remove power for 5 seconds, adjust the Pot and re-Power-Up the Stealth.

1. The adjustment Pot leaves the factory at a 50% setting. At this setting, the red led will blink 3 times upon power up.
2. Try the unit with this setting first.
3. If more filtering is needed, power unit down, adjust Pot, and re-power.
4. As filtering is increased, off-angle response will narrow.
5. Too much filtering may affect the signal of some remotes.
6. If the Pot needs adjusting we suggest 25% increments to start.

Using IRStation™ / IRZ-1/ Niles®/ Xantech® Connector Blocks



NILES® is a registered trademark of Niles Audio Corporation, Inc.
XANTECH® is a registered trademark of Xantech Corporation.

© 2007 - 1/3/07