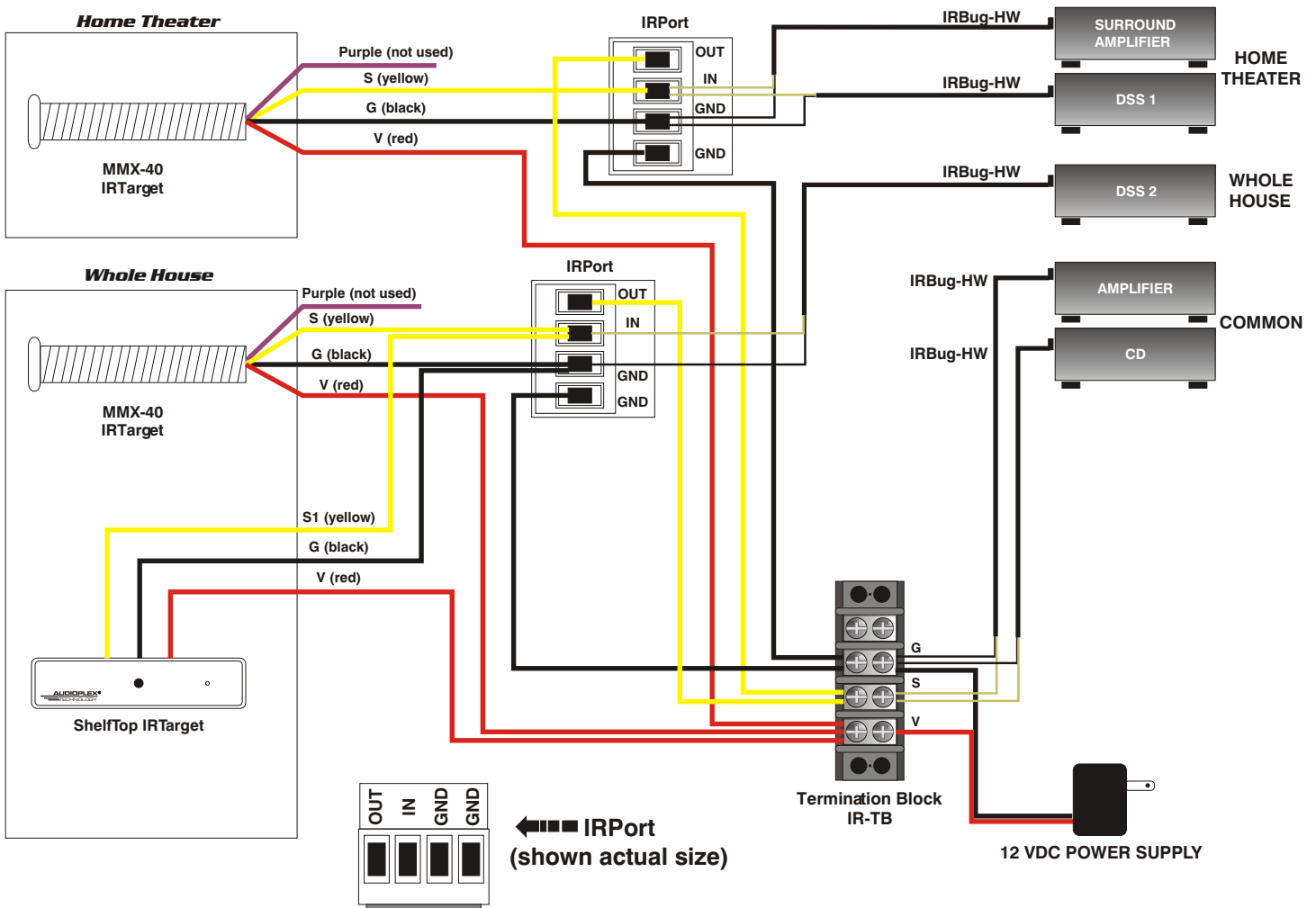


INSTALLATION MANUAL

AUDIOPLEX[®] TECHNOLOGY

IR PORT

The IR Port is designed to create IR routing matrices for a variety of systems, from simple to complex. This unit is very flexible and easy to use, and ideal for use with our IRTargets. The wiring diagram below shows a typical set up. Be sure that the wiring is done correctly (i.e. signal output from IRTarget to Input on IR Port).



WARRANTY

Your AUDIOPLEX TECHNOLOGY[®] IR Port is covered by a LIFETIME warranty against any defects in workmanship and materials. Any defects will be remedied without charge for labor and parts.

Damage incurred by shipping or accident is not considered to be a defect, and not covered by this warranty. AUDIOPLEX TECHNOLOGY[®] is not responsible for defective operation caused by abuse or by modification or service by any unauthorized person or agency.

The unit must be properly installed and operated according to instructions for the warranty to apply. Any necessary servicing must be done by AUDIOPLEX TECHNOLOGY[®]. The product must be returned expenses prepaid, with written authorization from the company. The product must be shipped with the proof of purchase and in the original carton and packing material to avoid damage.

This warranty gives you specific legal rights. You may have other rights which vary from state to state.

AUDIOPLEX TECHNOLOGY[®]

404 GWH • P.O. BOX 440 • MELVIN VILLAGE, N.H. 03850
1-800-257-2077 • 603-544-8601 • FAX: 603-544-8901
www.audioplex.com

© 2002 - 2/21/02