

# INSTALLATION MANUAL



## HP18AB / HP14AB

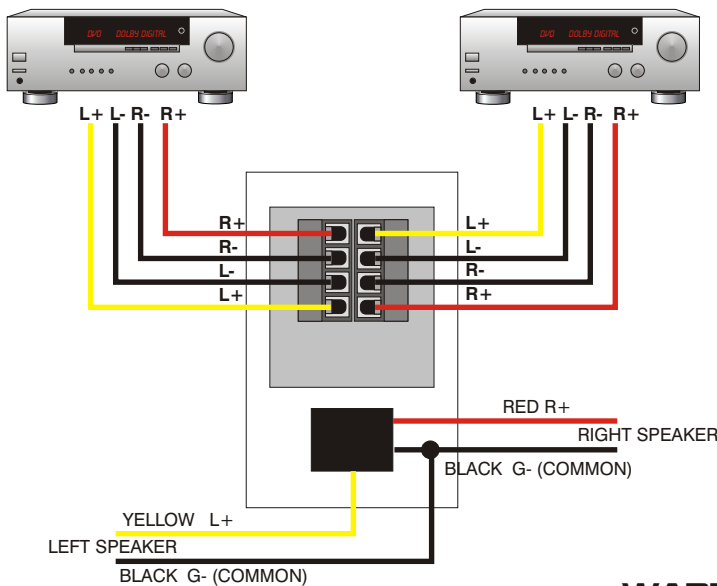
### SPECIFICATIONS

Connectors: Screw type connectors  
Switch: Two position rocker switch  
Mounting: Fits most single gang junction boxes

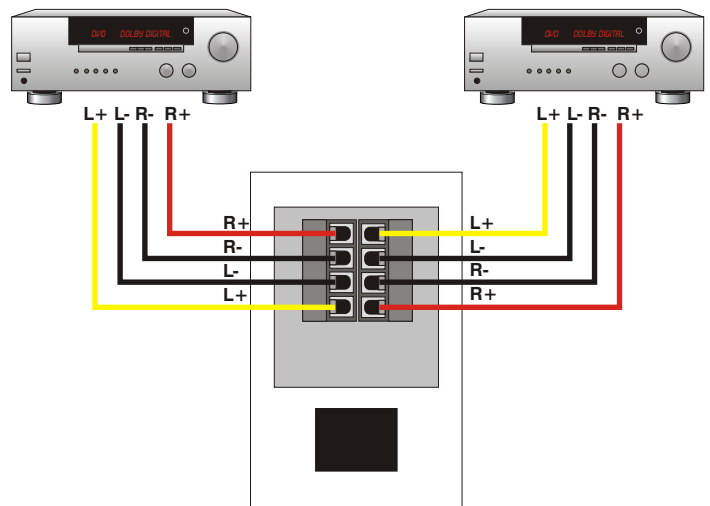
### INSTALLATION

To make connections, strip about 1/4" of insulation from the wire ends, and twist the loose strands together tightly so that no loose wire strands stick out to cause possible short circuits! Insert wire into the connector hole, and tighten the screw. Inspect the connection for loose wire strands.

HPAB SERIES WITH DISCONNECT



HPAB SERIES WITHOUT DISCONNECT



### WARRANTY

Your AUDIOPLEX TECHNOLOGY® HPAB is covered by a LIFETIME WARRANTY against any defects in workmanship and materials. Any defects will be remedied without charge for labor or parts.

Damage incurred by shipping or accident is not considered to be a defect, and not covered by this warranty. AUDIOPLEX TECHNOLOGY® is not responsible for defective operation caused by abuse or by modification or service by any unauthorized person or agency.

The unit must be properly installed and operated according to instructions for the warranty to apply. Any necessary servicing must be done by AUDIOPLEX TECHNOLOGY. The product must be returned expenses prepaid, with written authorization from the company. The product must be shipped with the proof of purchase and in the original carton and packing material to avoid damage.

### **AUDIOPLEX TECHNOLOGY®**

404 GWH PO BOX 440  
MELVIN VILLAGE, NH 03850  
800-257-2077 603-544-8601 FAX: 603-544-8901  
www.audioplex.com