

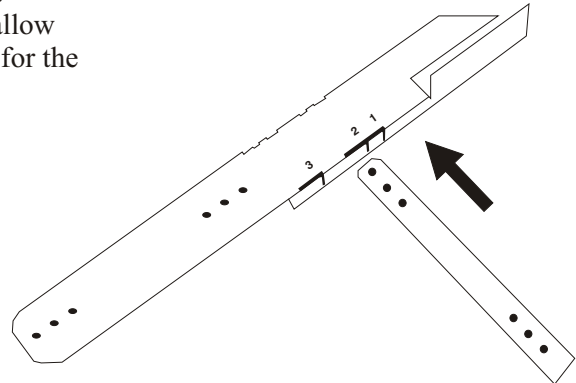
INSTALLATION MANUAL



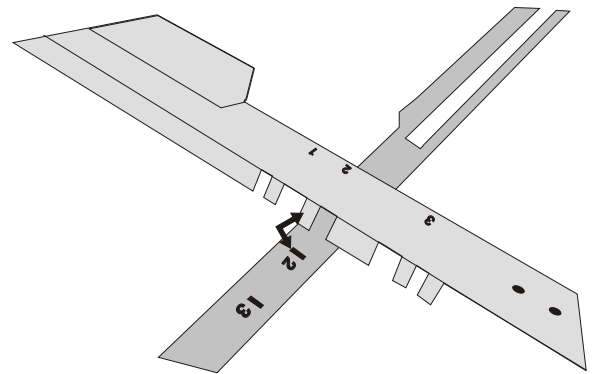
PRE-B1

PRE CONSTRUCTION BRACKETS FOR AT SERIES SPEAKERS

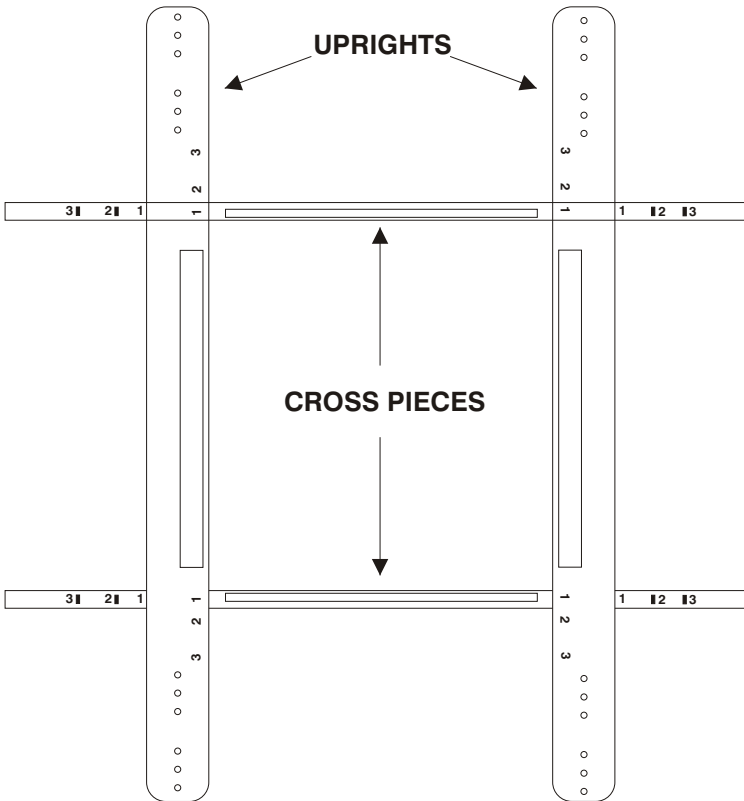
The Pre-B1 brackets are adjustable to fit all of our AT Series speakers. All the slots on the brackets are number coded to allow for each model of speaker. Slot 1 is for the AT-502, slot 2 is for the AT-602 and slot 3 is for the AT-802 and AT-880S speakers.



Lay out the 4 pieces (for each speaker) with numbers facing up. Insert one cross piece into one upright making sure to use the appropriate slot (slot 1 for AT-502, slot 2 for AT-602 and slot 3 for AT-802 and AT-880S).



Slide the cross piece up to the slot with the corresponding number and insert the tab into the slot. Fold over the tab on the back side to secure the joint. Repeat the process with the other cross piece. Now slide the other upright onto the two cross pieces and repeat the above procedure, always making sure to match the appropriate numbers (1 to 1, 2 to 2 etc.). Once complete the bracket can be nailed in place.



© 2003 - 3/27/03