

# INSTALLATION MANUAL



**CATILINK** PATENT APPLIED FOR

## SPECIFICATIONS

Front Connectors:	Gold Plated RCA Connectors 1/8" stereo jack
Rear Connector:	Screw Down Connectors
Band Width:	-3 dB BW 30 mHZ at 200 feet
Power:	9 vac power supply included

The CATiLINK\* allows you to run audio from portable media systems to whole house audio systems over affordable CAT-5 wiring for distances of up to 500 feet. By utilizing the latest in low noise amplification, signals stay crystal clear with virtually no signal degradation.

## INSTALLATION

Locate the transmitter plate in an area where the portable media player is usually located and the receiver plate by the whole house audio system. Determine the best routing of CAT-5 wire between your source equipment and the receiving audio system and run the CAT-5 wire for your application. Connections are made by stripping about 1/4" of insulation off the individual wires in the CAT-5 wire, inserting the wire end into the proper locations on the screw connector and tightening screws. Typical networking practices apply.

## WARRANTY

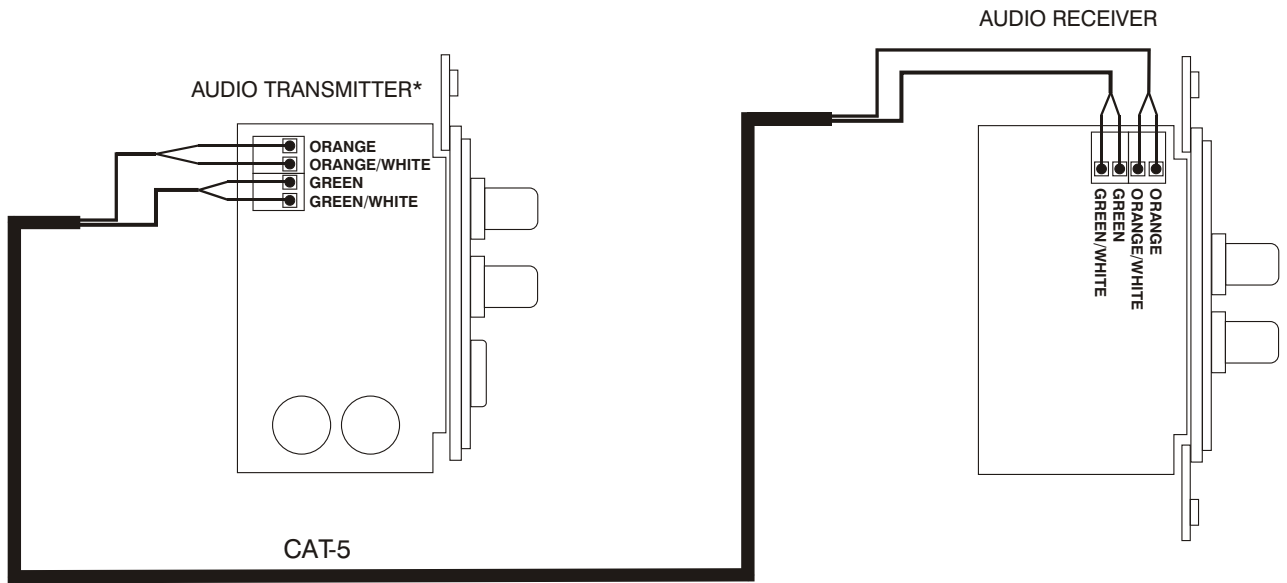
Your AUDIOPLEX TECHNOLOGY® CATiLINK\* is covered by a LIFETIME warranty against defects in workmanship and materials. Any defects will be remedied without charge for labor or parts.

Damage incurred by shipping or by accident is not considered to be a defect, and not covered by this warranty. AUDIOPLEX TECHNOLOGY® is not responsible for defective operation caused by abuse or by modification or service by any unauthorized person or agency.

The product must be properly installed and operated according to instructions for this warranty to apply. Any necessary servicing must be done by AUDIOPLEX TECHNOLOGY®. The product must be returned expenses prepaid, with written authorization from the company. The product must be shipped with the proof of purchase and in the original carton and packing material to avoid damage.

This warranty gives you specific legal rights. You may have other rights which vary from state to state.

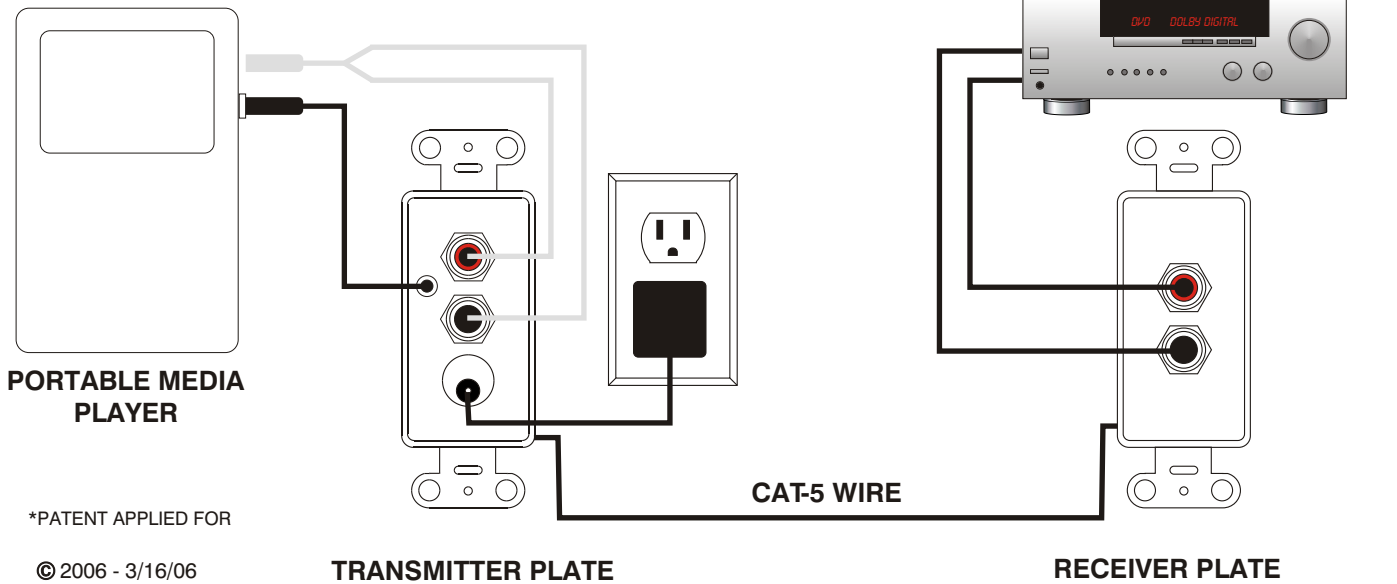
**\*IMPORTANT**  
 Please note that the wire locations are different on the transmitter and video receiver plates.



**TYPICAL CATiLINK\* APPLICATION**

**PORTABLE MEDIA LOCATION**

1/8" to 1/8" stereo cable recommended  
 1/8" stereo "y" to RCA optional



\*PATENT APPLIED FOR

© 2006 - 3/16/06