

*From the desk of Corky Mork,  
Audioplex Tech Support*

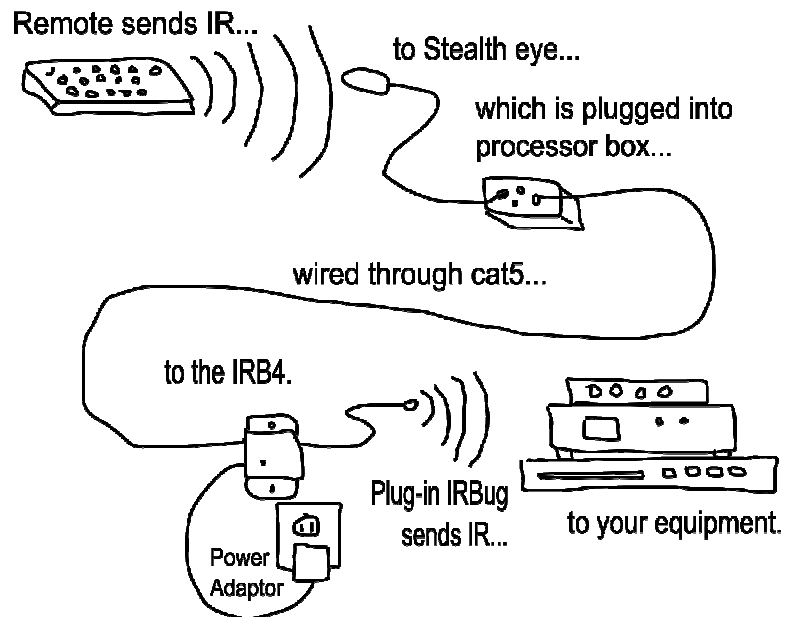
## IR Repeating Systems

So you've got yourself a nice new flat panel TV, and have it mounted on the wall. Where are you going to put all the equipment you had connected to your old TV? Maybe you had a nice entertainment center cabinet, but the new set doesn't fit it. If you had a cable or satellite box on top of your old TV, that just won't do with the flat panel; it doesn't have a "top"!

Why not hide all that equipment away on a closet shelf or closed cabinet? If you use an Infrared repeating system, you can control it all without the equipment being visible.

An IR repeating system acts sort of like a telephone, but for infrared instead of sound. An IR target or eye is mounted where it can "see" your remote. It picks up infrared signals from the remote and converts them to an electrical signal. That signal is carried by wires to the location where your equipment is hidden. One or more connected emitters or bugs convert the signal back to infrared. Your equipment sees this infrared and "thinks" that you are standing right there with the remote, and faithfully obeys your commands.

An easy way to set up an IR repeating system is to use one of Audioplex technology's IR packages. These contain all you need, except the wire, to set yourself up. One of our most popular packages is the Stealth Xtreme IRB4 package. It works well with flat panel TVs and will control up to four devices, such as cable or satellite boxes, DVD players, and audio receivers.



The Stealth Xtreme comes in two parts: the eye and the processor box. The eye is a small sensor which looks like a black jellybean on a six foot cable. It should be placed where you can "see" the IR beam from your remote. People are used to shooting their remotes at the TV, so mounting on the TV frame works well. It plugs into the processor which can be hidden behind the TV.

The processor has three pigtail leads which can be extended with telephone or Cat5 wire to the location of your equipment, which could be hundreds of feet away. There it is connected to the IRB4 connecting block. The IRB4 needs power from the included 12 volt wall power supply. An IRBug emitter (the package comes with four) is stuck onto the sensor of each piece of equipment you want to control, and plugged into the IRB4.



You can use a universal remote, available from many retailers, to replace your original remotes so you can reduce clutter at your easy chair. Choose one that can control all of the equipment you have. Be sure that it can control the functions you use, or can “learn” those commands from your original controls.

If you have more than four components, you can expand the IRB4, or use our six output IR Station (which is also expandable). You can also add more targets, so you can control whole house audio from several rooms in the house.

We have a whole range of targets besides the Stealth Xtreme.

There are tabletop targets,



targets that mount in a wall box or a cabinet,



targets that go in the ceiling,



even weatherproof targets which you can mount outdoors!



And if you're doing whole house audio, we can build targets into your volume controls.

If you'd like to get started with your IR repeating system, gives a call, let us know what you've got, and we'll set you up

[LM2931](tel:714-942-2931)