

INSTALLATION MANUAL



RCLL-1

Remote Controlled Line Level Volume Control

SPECIFICATIONS

Connectors: Gold plated RCA type line in and line out
Power Supply: 12 VDC (included)

OPERATION

The line level remote control is a versatile means of controlling a block amplifier fed by a line level source. The level may be controlled from a remote location via an infrared repeating system or at the front of the unit via a manual volume control setting. The front mounted manual volume setting may also be used as a limiter to prevent the amplifier from being overdriven by sources with very high output when controlled remotely.

To use the front mounted control as a local volume control, the remotely controlled portion of the unit needs to be turned up to maximum via a remote control. Another feature of the RCLL-1 is a dual ramping speed when used with a remote control. By tapping the volume up/down button on your remote control, the level changes more quickly (in larger steps) than if the button is held down continuously. This more easily allows you to avoid overshoot or undershoot. For example, tap on the volume up button till you are near the desired level, and then continuously hold the button to fine tune setting.

On initial power-up the volume up button on the remote control will need to be pressed for approximately 20 seconds before sound will be heard. This is only on initial power-up or if power is lost to the system.

The RCLL-1 works with any universal remote control by using the ProScan* audio amplifier/receiver code.

WIRING

Follow the wiring diagram on the back of this sheet, using quality RCA to RCA cables for the RCLL-1 to the Amplifier connection. To connect an optional infrared receiver, strip the ends of the receiver wires and insert into the Banana Jacks, paying close attention to the polarity of the wires.

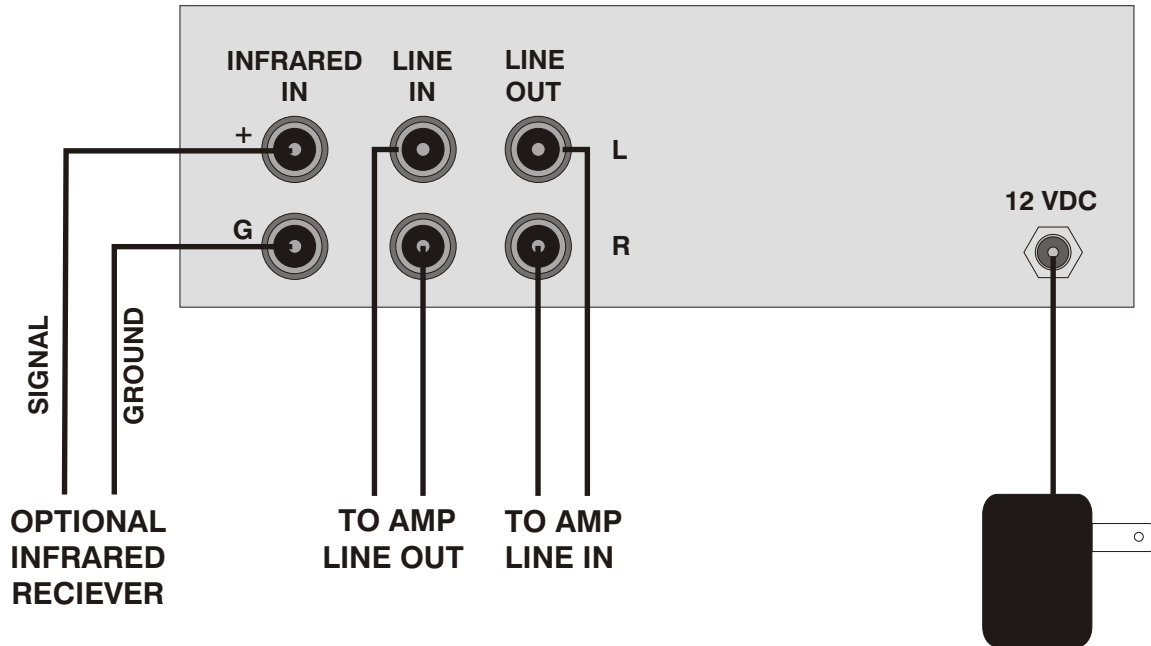
*ProScan is a registered trademark of Thomson Consumer Electronics.

© 2003 - 11/20/03

AUDIOPLEX TECHNOLOGY®

404 GWH P.O. BOX 440
MELVIN VILLAGE, N.H. 03850
1-800-257-2077 603-544-8601 FAX: 603-544-8901
www.audioplex.com

WIRING DIAGRAM



WARRANTY

Your AUDIOPLEX TECHNOLOGY® RCLL-1 is covered by a LIFETIME WARRANTY against any defects in workmanship and materials. Any defects will be remedied without charge for labor or parts.

Damage incurred by shipping or accident is not considered to be a defect, and not covered by this warranty. AUDIOPLEX TECHNOLOGY® is not responsible for defective operation caused by abuse or by modification or service by any unauthorized person or agency.

The unit must be properly installed and operated according to instructions for the warranty to apply. Any necessary servicing must be done by AUDIOPLEX TECHNOLOGY®. The products must be returned expenses prepaid, with written authorization from the company. The product must be shipped with the proof of purchase and in the original carton and packing material to avoid damage.

© 2003 - 11/20/03

AUDIOPLEX TECHNOLOGY®

404 GWH P.O. BOX 440
MELVIN VILLAGE, N.H. 03850
1-800-257-2077 603-544-8601 FAX: 603-544-8901
www.audioplex.com