

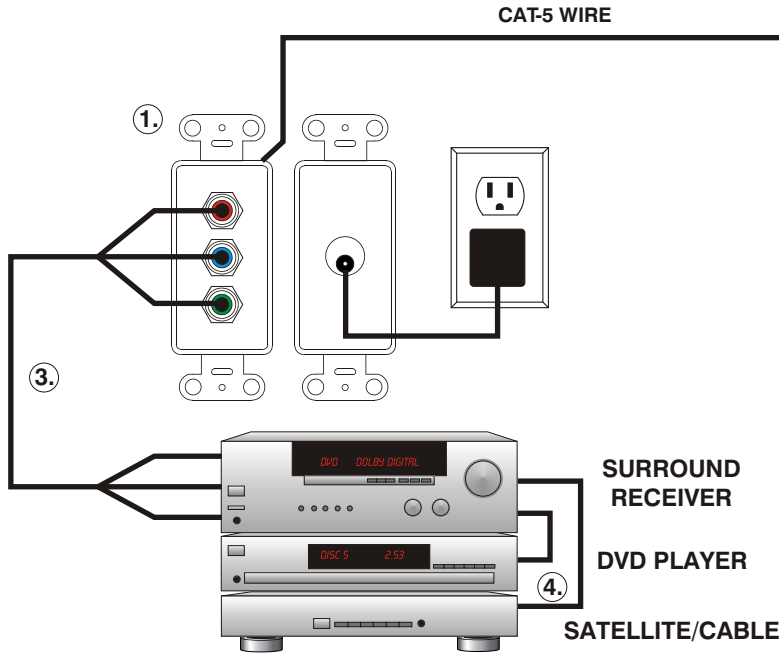
CAT-5 DRIVER SERIES

Application Notes

PATENT APPLIED FOR

TYPICAL C5CVK DRIVER PLATE APPLICATION

RUN VIDEO FROM EQUIPMENT RACK TO THEATER PROJECTOR

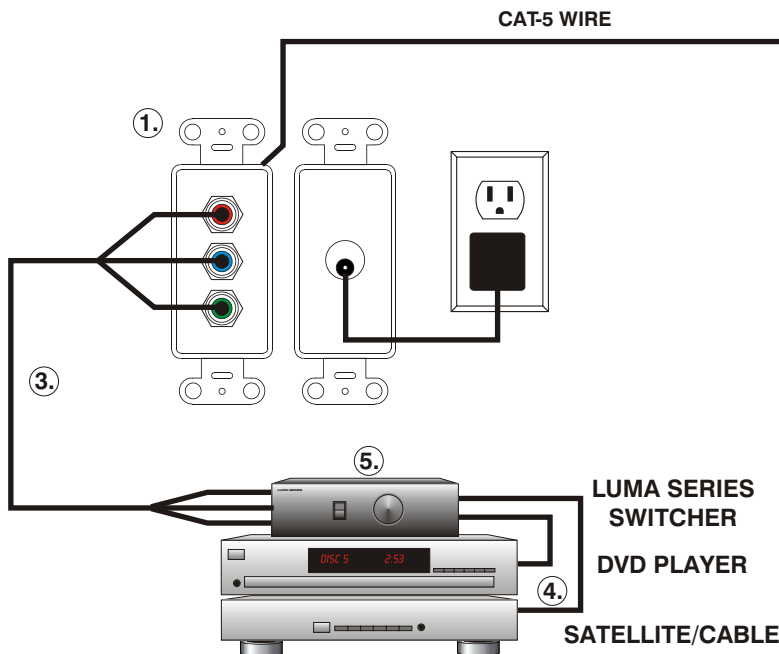


EQUIPMENT LIST

1. C5CVK KIT (transmitter/receiver)
2. AUDIOFLEX .5M COMP CABLE
3. AUDIOFLEX 2M COMP CABLE
4. AUDIOFLEX 1M COMP CABLE (X2)

TYPICAL C5CVK DRIVER PLATE APPLICATION

RUN VIDEO FROM TWO SOURCES INTO LUMA SERIES SWITCHER/
VIDEO OUT TO THEATER PROJECTOR



EQUIPMENT LIST

1. C5CVK KIT (transmitter/receiver)
2. AUDIOFLEX .5M COMP CABLE
3. AUDIOFLEX 2M COMP CABLE
4. AUDIOFLEX 1M COMP CABLE (X2)
5. LUMA SERIES SWITCHER