

IRStation™

Provides a convenient connecting point and troubleshooting point for a Remote Relay system.

Design Your System for Serviceability

The IRStation eliminates hard-wiring in a Remote Relay system. Although hard-wiring can create good connections, if a component is damaged or interference occurs, every wire must be disconnected, everything tested, then carefully rebuilt.

Good system design includes foresight. Someday, something might go wrong! By installing your Remote Relay system with an IRStation, your professional installer is designing a system for easy serviceability. In a system with many rooms and many components, the cost of the IRStation will be more than justified by the labor savings just from the initial hook-up.

The Audioplex IRStation enables quick location of interference or damaged parts via screw down connectors and its unique array of self-diagnostic LED's. The IRStation also simply puts a lot of wires in a



The IR Station hides wires and looks neater, but the real reason to use it is the labor savings. In a whole house Remote Relay system hand made connections are perfectly acceptable, however, should one part be damaged, troubleshooting is a laborious affair and expensive to the customer! With the addition of the IR Station to a Remote Relay system, connections are made quickly and simply with increased reliability.

AUDIOPLEX®
TECHNOLOGY

TECHNICAL DETAILS

Fast, Secure connections

Each room has its own removable screw down connector for IRTargets, each emitter and the power supplies have their own plug-in jacks. Connecting time can be measured in seconds instead of minutes.

Identifies Emitter Problems

Every IRBug or IRFlood has its own visible LED which flashes to verify operation.

Troubleshoots Interference

The IR Station is equipped with six red LEDs adjacent to each IRBug output. Whenever any kind of signal is received by an IRTarget, the LEDs will blink. Thus any kind of interference is visible as soon as the IRStation is connected to one IR Target and one IRBug. By unplugging one IRTarget after another, the room with interference is quickly identified.

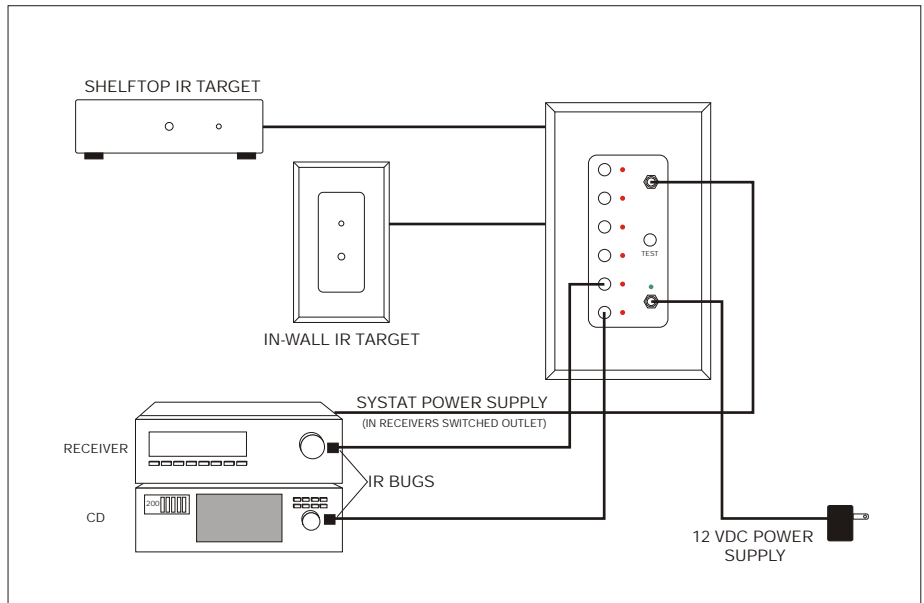
System Status

The IRStation includes an 1/8" jack for an optional 12 VDC wall adapter. By plugging the adapter into your receiver's switched AC outlet, you will provide your Remote Relay system power whenever the receiver is turned on. Order your IRTargets with the SYS-TAT option to take advantage of system status. Lifetime Warranty Audioplex provides a lifetime warranty guaranteeing the performance and function of your IRStation for the life of the original owner.

System Status (SYS-TAT)

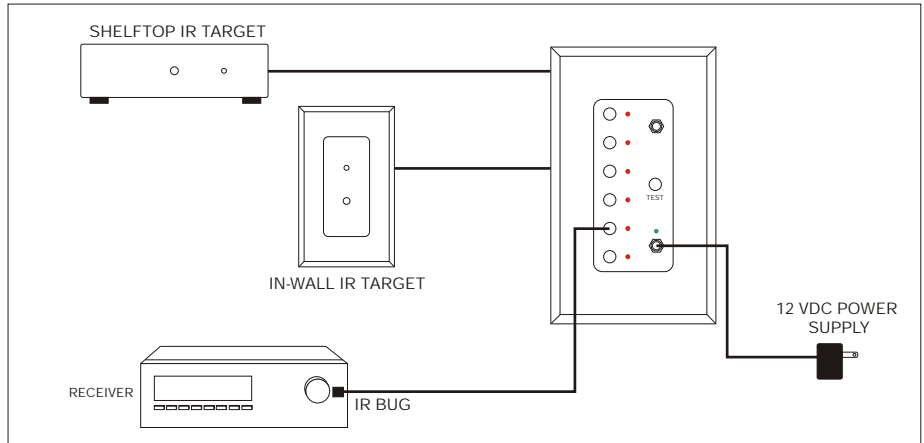
It is much easier to operate a multiroom system if you know whether it is on or off. An Audioplex Remote relay system can be configured to light a green LED in each room when the system is available. There are four rules to designing such a system.

- 1) Provide a green LED in each room by specifying Audioplex VC, Cabinet, Shelf or In-wall Targets with SYS-TAT or install a separate SYS-TAT LED wall plate.
- 2) Wire each IRTarget with 4 conductor cable. The fourth conductor carries the 12VDC system status signal.
- 3) Specify a preamp/receiver to power the system that has a switched outlet.
- 4) Specify one additional 12v Power adapter to be plugged into the preamp/receiver's switched outlet.



Connections Without SYS-TAT

When systems are designed with completely hidden IRTargets such as the Stealth IR™ or Ceiling Targets, system status would simply annoy the consumer. In this case, the connecting wire only requires 3 conductors. It is recommended however, that you always specify more conductors than the recommended minimum in case of a damaged wire. For this reason, Audioplex recommends Cat 5 telephone cable. It has multiple, low capacity conductors giving you superior range and extra capacity at low cost.



SPECIFICATIONS

Power:	12 VDC @ 500 mA power supply.
Wire:	3 conductor, 24 gauge minimum. 4 conductor recommended. Unshielded or shielded (Cat 5 recommended).
Total sensors	No limits.
Max. wire run:	1000' on any leg. No maximum total limits.
Compatibility:	Use Standard Band for all standard remote controls from 32 to 45 kHz. (Note: RCA and ProScan require dedicated 56k sensors). Use high band for B&O, Kenwood, Sony and Revox. Use two-way for Sony and Kenwood remote controls with the ability to display CD and tuner information on the remote.
Dimensions:	Chassis: 6.5"W x 1"H x 1.75"D In-wall: 2.75"W x 4.75"H x 1.25"D

Bang & Olufson, RCA, ProScan, Sony, Revox and Kenwood are all registered trademarks.



AUDIOPLEX®

TECHNOLOGY

